



2040 DIESEL COLD WATER JETTER



SINGLE AXLE ALSO AVAILABLE

MODEL NUMBERS:
SINGLE AXLE:
XFDSA2040Y

TANDEM AXLE:
XFDTA2040Y-330
XFDTA2040Y-600
XFDTA2040Y-660

- » **20GPM @ 4,000 PSI** (FULLY ADJUSTABLE)
- » **59HP YANMAR TURBO DIESEL ENGINE** (JOHN DEERE)
- » **10K TANDEM AXLE TRAILER** (14K AVAILABLE WITH 600 GALLON H2O TANKS)
- » **330 GALLON CAPACITY**
- » **SOLID STATE REMOTE CONTROL**

1.800.624.8186
www.hotjetusa.com

59 HP ENGINE

WATER COOLED
TURBO DIESEL POWERED

NOW EVEN MORE RELIABLE

The YANMAR line of Final Tier 4 engines continues to build upon the legendary reliability of the YANMAR TNV line with a focus on vibration reduction and high-strength materials. The result is an engine more than capable of handling the most demanding applications.

FINAL TIER 4 AND EU STAGE 5 COMPLIANT

Building off the proven TNV design, YANMAR has achieved superior exhaust emissions utilizing common rail direct-injection, exhaust gas recirculation, precise ECU engine control and a diesel particulate filter. YANMAR engines are compliant with EPA Tier 4 Final and EU Stage regulations allowing customers to use a common platform for highly regulated sales regions.

BETTER FUEL EFFICIENCY, FEWER EMISSIONS

YANMAR continues its reputation for superior starting characteristics by refining the combustion process to assure more precise fuel delivery and control. The result is reduced emissions, improved performance over a wide range of applications and increased fuel economy.



CARB COMPLIANT

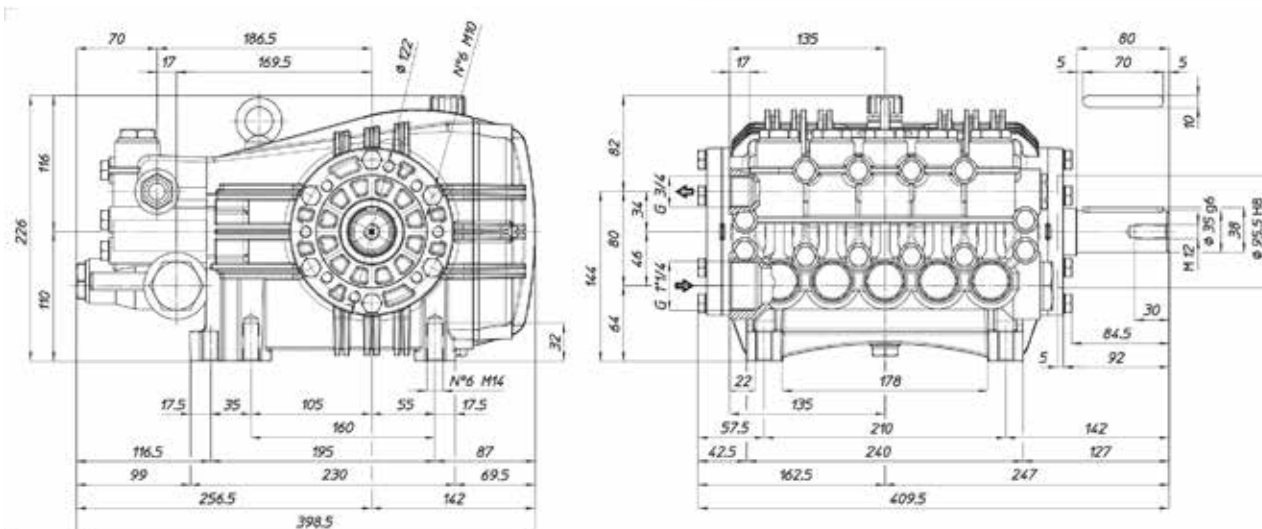
SPECIFICATION	DWZ	COMBUSTION TYPE	Direct Injection
CYLINDERS	4	ASPIRATION	Turbo Charged
BORE x STROKE (mm)	86 x 90	GOVERNOR TYPE	Electronic
DISPLACEMENT L (ci)	2.09 (128)	LUBRICATION SYSTEM	7.4L Capacity Oil Pan
GROSS POWER hp (kW)	59 (44)	ELECTRICAL SYSTEM	12V-55A
RATED SPEED rpm	3000	FUEL SYSTEM	Common Rail Fuel Injection
LENGTH w/fan in (mm)	28.6 (726)	COOLING SYSTEM	Water Pump, Belt Driven
WIDTH in (mm)	21.7 (552)	POWER TAKE OFF	FWH: SAE 5 Full FW: SAE 7.5
HEIGHT in (mm)	39.4 (1000)		
WEIGHT lbs (kg)	~ 516 (234)		

PENTA SERIES

19.8 GPM

UP TO 4100 PSI

- Heavy Duty Brass Manifold
- Solid Ceramic Plungers
- Stainless Steel Plunger Rods and Check Valves
- Replaceable PTFE Coated Body Guides
- Heavy Duty Bronze Connecting Rods with Guide Pins for Perfect Cap Alignment
- Heavy Duty Flat Base High Pressure Seals
- Dual Roller Bearings
- 118 oz. Oil Capacity
- 1" BSP-F Inlet. 1/2" BSP-F Outlet
- Max Fluid Temp, 160°F



Dimensional drawings are shown in millimeters. To convert to inches, multiply dimension x 0.03937.



BEST ENGINE

Premium Yanmar (John Deere) Turbo • Water Cooled

BEST PUMP

BEST TRAILER

Solid Steel Diamond Plate • Solid Box Frame

INDUSTRIALLY ENGINEERED FOR YEARS OF SERVICE

- Engineered to Clean from 4" to 24" Pipes
- Fast & Efficiently Built for Easy Service & Long Life

INCLUDES

- Tool Boxes
- Wash Down / Power Wash Feature
- Anti-Freeze System
- Strobe Light
- Fast Fill System
- Remote Control
- Safety Shut-Off



OPTIONS AVAILABLE

OPTIONAL 2ND HYDRAULIC REEL WITH 300' 3/8" JETTER HOSE. INCLUDES CUSTOM DRILLED NOZZLE SET & WARTHOG.



SHOWN WITH OPTIONAL SWIVEL REEL

SINGLE AXLE



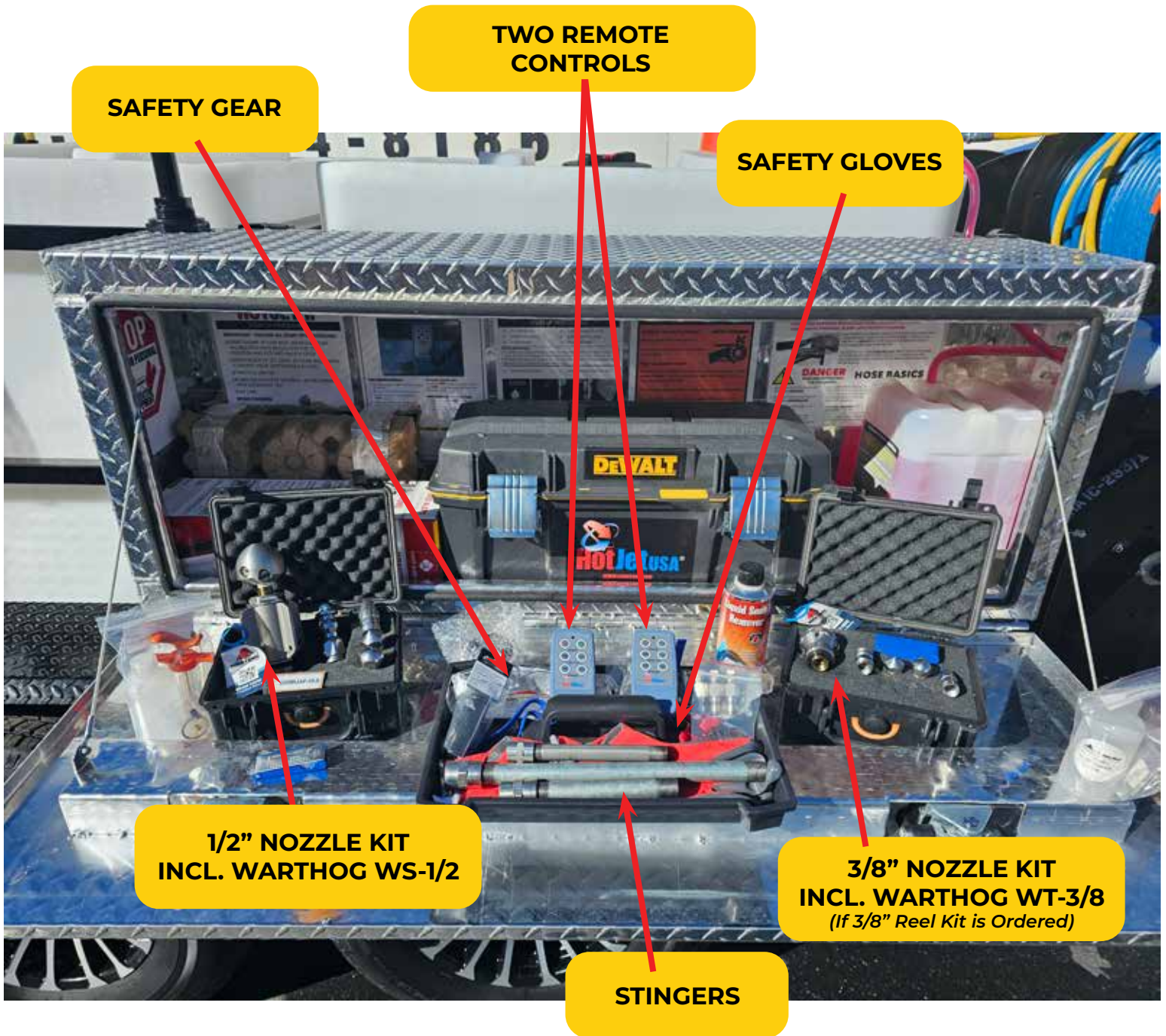
TANDEM AXLE



LOAD 'N GO OPTION AVAILABLE



INCLUDED JETTER ACCESSORIES



THE BEST JETTERS DESERVE THE BEST TRAILERS



- » Box Tube Steel Construction
- » Solid Diamond Plate Steel Deck
- » Fully Primed And Powder Coated

BUILT FOR YEARS OF SERVICE



IT ALL STARTS WITH THE TRAILER



» TRAILER SPECIFICATIONS

Our HotJet trailers are custom engineered for extreme duty and are the best trailers made - PERIOD!

We are associate members of **NATM - National Association of Trailer Manufacturers** and we manufacture in compliance with their national engineering codes.



» FRAME

Our trailers feature a "Rock Solid" 3/16" tube fame (not 1/8") that extends the full length of the trailer. The frame is then welded on the HD C-Channel sub-frame. We directly weld this to our spring support shackles.

» TOP DECK

The top deck is full sheathed diamond plate steel decking which adds structural rigidity.

» AXLES

We use Dexter brand leaf spring axles. Leaf springs are proven for our applications. They cushion and distribute the weight loads. Each axle has electric brakes.

» PAINT / POWDER COAT

We use a premium pre-wash zinc hot-wash. This is followed by a Sherwin Williams primer coat that is exclusively made for powder coating. A Sherwin Williams premium powder coat paint that is engineered to resist corrosion and promote color consistency is then added.

» MISCELLANEOUS

We use HD fenders with step plates welded on both sides. The Ram Jack is super duty and rated to lift 8,000 lbs. All lights and markers are LED. Plug is standard 7-way.



CHOOSE YOUR TRAILER COLOR!



Red, Black & Blue Standard Color Options
Custom Paint Colors Available Upon Request - Cost Extra



HYDRAULIC JACK OPTION AVAILABLE

The hydraulic jack package was designed to be a self-contained hydraulic trailer jack unit.

- » 3,000 PSI power unit
- » Manual override capable
- » Universal and custom brackets available



Upgrade:

7K Jack **\$1,295.00**

10K Jack **\$1,695.00**

CUSTOM SIGNAGE AVAILABLE



ARTWORK REQUIREMENTS:

Custom signage is designed by our in-house graphic artist. Provide your logo/ branding in high resolution VECTOR FORMAT (.ai, .eps or vector PDF) and we'll do the rest! A proof will be provided for review prior to print production.

THE BEST JETTERS INCLUDE THE BEST TRAINING CLASSES

